

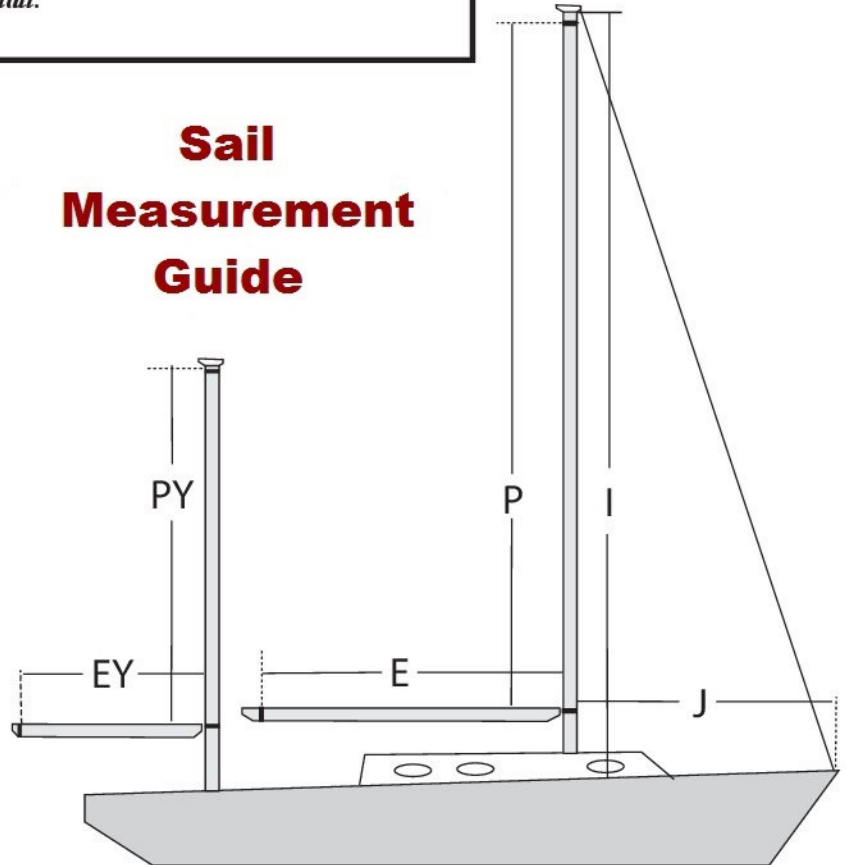


2233 3rd. Ave S. • St. Petersburg, FL 33712  
 727 577-3220 • 800 652-4914 • fax 727 577 6816  
 email: sails@newjsi.com • www.newjsi.com

<i>Name:</i>	
<i>Address:</i>	
<i>City, State, Zip:</i>	
<i>Work Phone:</i>	<i>Home Phone:</i>
<i>Email:</i>	

<i>Boat Manufacturer:</i>		
<i>Model:</i>		
<i>Length:</i>	<i>Year Built:</i>	
<i>Boat is used for: (circle all that apply)</i>		
Coastal Cruise	Weekender	Daysailor
<i>Boat Type (circle one)</i>		
Sloop	Ketch	Cutter
Yawl	Schooner	
<i>Rig Configuration (circle all that apply)</i>		
Masthead	Fractional	Unstayed
Standard	Tall	Custom

## Sail Measurement Guide



The following measurements can be found on your boat's sail plan or in its specifications. If they are not available, the following instructions tell you how to measure for them yourself.

<b>I</b> _____	The Height of the foretriangle is measured from the top of the highest headsail halyard sheave to the point where the mast intersects the main deck. On boats with a cabinhouse, this is an imaginary point, therefore you can get a close enough number by measuring to a point six inches above the rail.
<b>J</b> _____	The Base of the foretriangle along the deck from the headstay to the mast. If your boat has a deckhouse, measure horizontally from the front of the mast to a vertical bar based at the intersection of the forestay with the deck.
<b>P</b> _____	Maximum Luff length of mainsail, measured from top of boom at mast to maximum hoist, or to bottom of black band at top of mast.
<b>E</b> _____	Maximum Foot length of main measured along the boom from aft face of mast to maximum outhaul, or to the inner edge of the black band at the aft end of the boom.
<b>PY</b> _____	Maximum Luff length of mizzen, measured from top of boom at mizzen mast to maximum hoist, or to bottom of black band at top of mizzen mast.
<b>EY</b> _____	Maximum Foot length of mizzen measured along the mizzen boom from aft face of mast to maximum outhaul, or to the inner edge of the black band at the aft end of the mizzen boom